

Installation Instructions for the 7007B-N5 Audible/Visual Signal

Specifications

Operating Voltage 120V 60 Hz
Alarm Current 115 mA

Description

The 7007B-N5 is a UL listed audible/visual-strobe signal for general purpose signaling applications.

Installation

A qualified electrician familiar with National Electrical Code and local code requirements must install this product. Failure to follow the safety precautions in this instruction sheet could result in product or property damage, severe personal injury or death.

! WARNING

To reduce the risk of shock, do not remove lens or tamper with unit when the circuit is energized. Do not connect AC power until installation is complete.

The 7007B-N5 audible/visual signal (Figure 1) can be mounted on any single gang 2" x 4" (51 mm x 102 mm) electrical box, double gang 4" x 4" (102 mm x 102 mm) electrical box, or standard 4" x 4" (102 mm x 102 mm) junction box with a plaster ring.

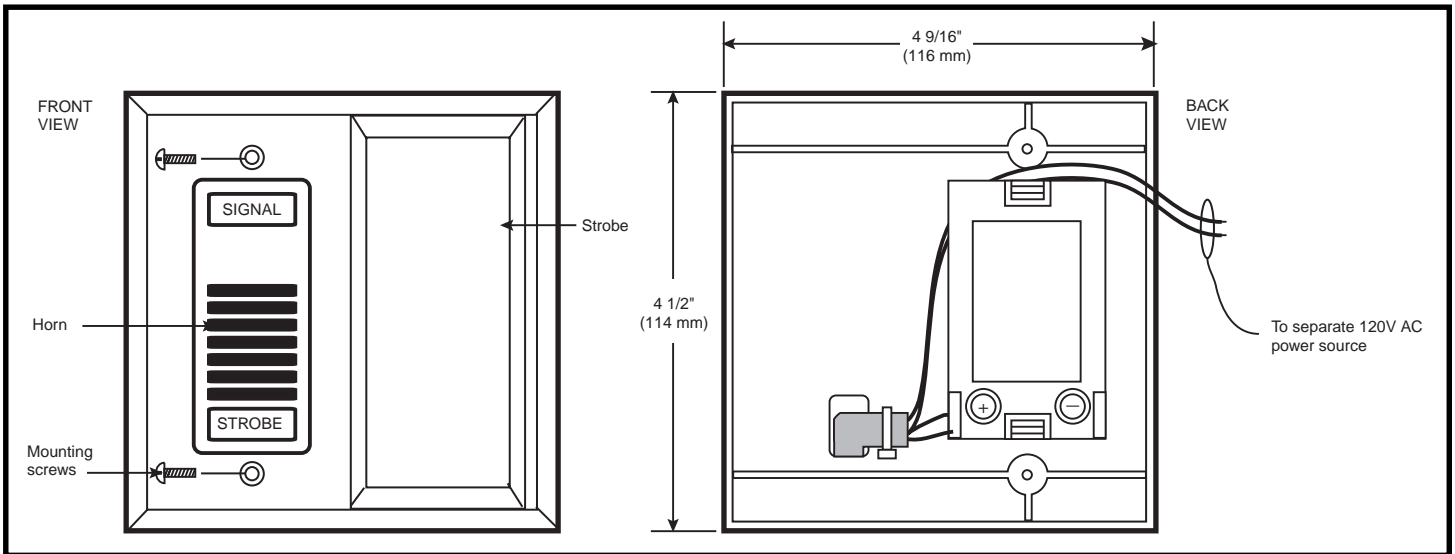


Figure 1. Details of Catalog No. 7007B-N5

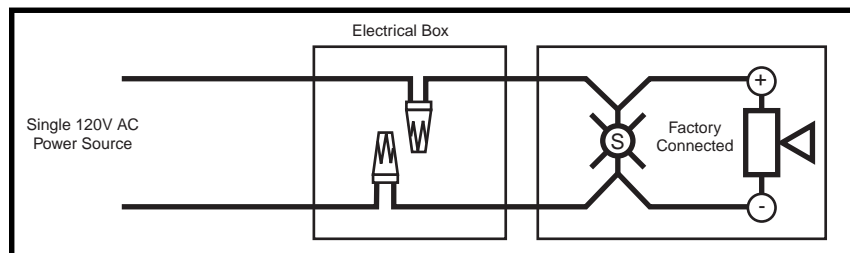


Figure 2. Wiring Connections

1. Install an appropriate electrical box using suitable hardware.
2. Connect the wire leads as shown in Figure 2.
3. Mount the device onto the electrical box. Secure it using two screws (supplied).
4. Perform an operational test.

Maintenance

! WARNING

To reduce the risk of shock, do not remove lens or tamper with unit when the circuit is energized. Disconnect power and allow five (5) minutes for stored energy to dissipate before starting work or disassembly. High energy could be stored in the strobe circuit once it is energized.

Perform regularly scheduled testing at least twice a year or more often as dictated by local authorities having jurisdiction.